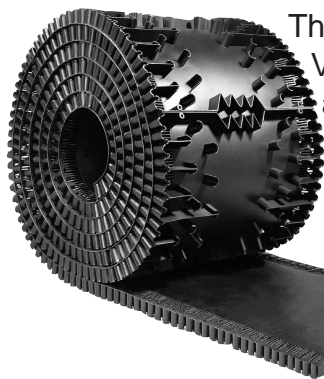


# INSTALLATION INSTRUCTIONS FOR THE LOMANCO<sup>®</sup> OMNIROLL™ SHINGLE OVER RIDGE VENT



Thank you for your purchase of the Lomanco OmniRoll™ Shingle Over Ridge Vent. The Lomanco OmniRoll™ vent is an exhaust vent that will help rid your attic of damaging heat and moisture when properly installed and used in conjunction with under eave intake vents. (Always make sure the under eave vents are clear of insulation and other obstructions.)

**NOTE:** Most codes concerning residential attic ventilation require a balanced system of 50% top (exhaust) vents and 50% soffit (intake) vents. When this balanced system is used, the Lomanco OmniRoll™ will meet or exceed residential attic ventilation codes.

**IMPORTANT** Read ALL instructions thoroughly before attempting to install the OmniRoll™ vent.

The OmniRoll™ vent will look better if it extends the entire length of the roof and therefore blends in with the roof line. Measure the length of the roof peak to determine the total length of OmniRoll™ vent needed.

**NOTE: DO NOT CUT THE HOLE THE ENTIRE LENGTH OF THE RIDGE. THE LENGTH OF THE CUT WILL BE ONE (1) FOOT LESS THAN THE LENGTH BETWEEN THE END WALLS (SEE FIGURE 3).**

**STEP 1** - Remove the cap shingles the entire length of the ridge if the house already has shingles. Do not install cap shingles on new construction.

**STEP 2** - The width of the cut will depend on whether your home is built with "Truss Construction" (1<sup>3/4</sup>" wide cut) or "Ridge Pole Construction" (3<sup>1/4</sup>" wide cut). If you are not sure, look into the attic and compare the ridge

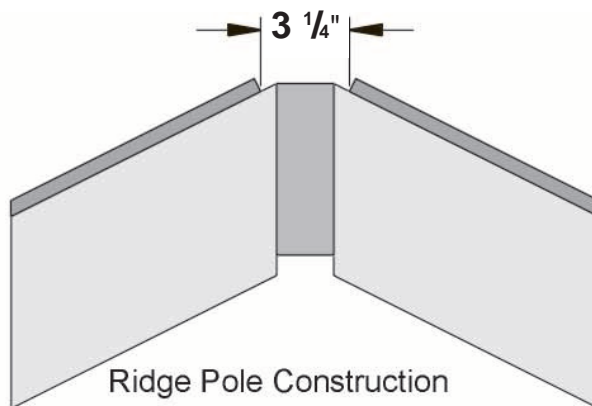


Figure 2  
construction to Figures 1 and 2.

The length of the cut should end 6 inches inside each end wall as shown in Figure 3. Mark the width to be cut with a chalk line (for a straighter cut) and also mark the end of the cuts. The hole is best cut with a circular saw taking care to set the depth of the cut to avoid cutting any rafters.

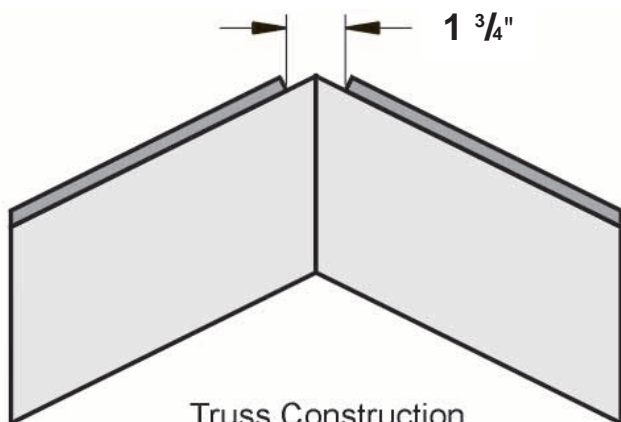


Figure 1

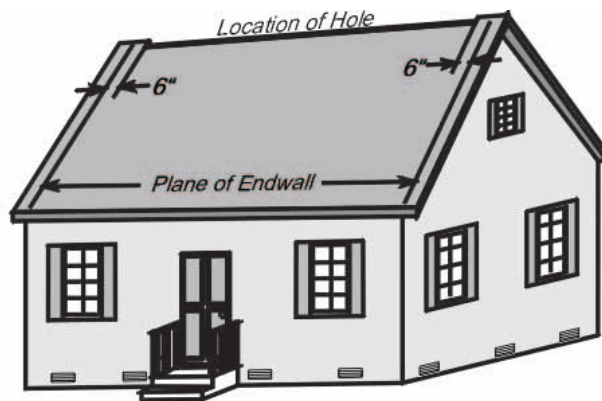


Figure 3

Cut the hole and remove the cut decking.

**STEP 3** - It is very important that the OmniRoll™ ridge vent be aligned correctly and evenly down the roof's ridge. Snap a chalk line down both sides of the ridge at a distance of 7" down from the peak as shown in Figure 4. The chalk lines should be used to help keep the OmniRoll™

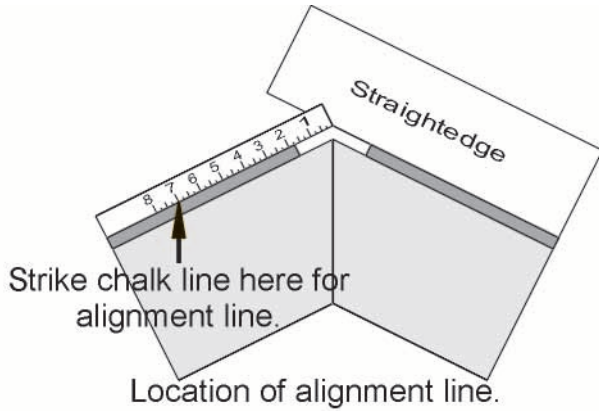


Figure 4

centered over the peak of the roof during installation.

**STEP 4** - If an entire 20 foot roll is to be used, unroll a section of OmniRoll™ and center the length of ridge vent evenly between the chalk lines previously snapped. Supported nail holes are provided approximately every foot. Nail the end of the vent first, then proceed nailing down the ridge using the remaining nail holes. Ring shank or spiral nails are recommended. The recommended nail length is two and one-half inches (2½").

Cut lines are provided on the top of the OmniRoll . Cut between the lines at CUT LINE A (Figure 5) when ending an installation. Before using the remaining portion, cut at B (Figure 6). This will insure that an endplug is at the beginning and end of every installation.

Additional accessories are not needed because of the unique, patented pre-molded internal end plugs located every linear foot. If either cut line is used, an end plug will be at the end of every cut section. Place each new section next to the previous section and nail as before.

**STEP 5** - Install new cap shingles on top of the OmniRoll™ vent and nail through the vent. A nail line has been provided to assist you.

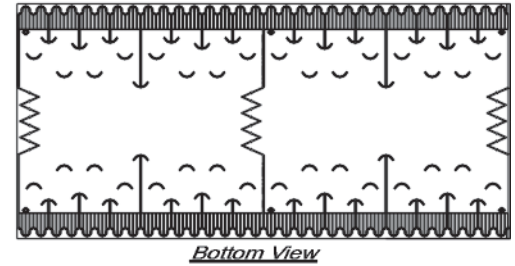
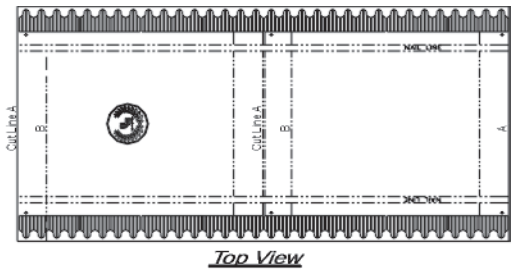


Figure 5

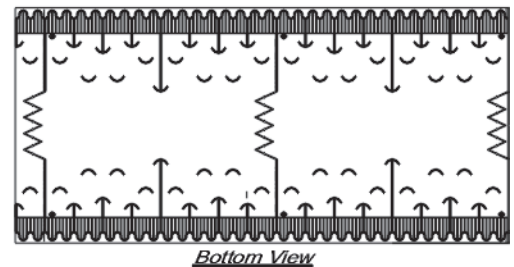
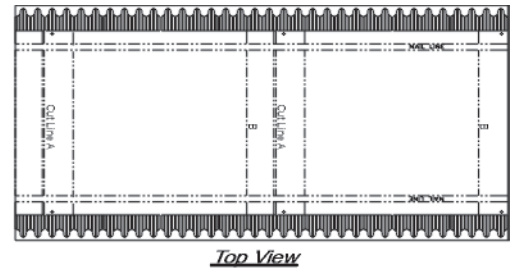


Figure 6

## WARRANTY

Lomanco, Inc. warrants the OmniRoll™, to the original or subsequent consumer, for a period of 30 years, against defects due to workmanship, parts or mechanical failure, in accordance to the limitations set forth in this warranty. The OmniRoll™, hereby, meets or exceeds all residential attic ventilation code requirements in effect as of January 1, 1999. Should any manufacturing defect occur during the 30 (thirty) year period following date of purchase, Lomanco, Inc., at its sole discretion, will either (a) provide replacement part(s) for that portion of the product deemed to be defective (not to include labor costs incurred in removing the defective part(s) or installing the replacement part(s)), or (b) if Lomanco, Inc. is unable to provide replacement part(s) within a reasonable time, or at the consumer's discretion, refund the consumer for the defective part(s) in an amount equal to the sum of the actual purchase price of the defective part(s).



**Lomanco, Inc.**  
P.O. Box 519 2101 West Main  
Jacksonville, AR 72076  
800-643-5596 Fax: 501-982-1258  
e-mail: [info@lomanco.com](mailto:info@lomanco.com)  
Internet: [www.lomanco.com](http://www.lomanco.com)